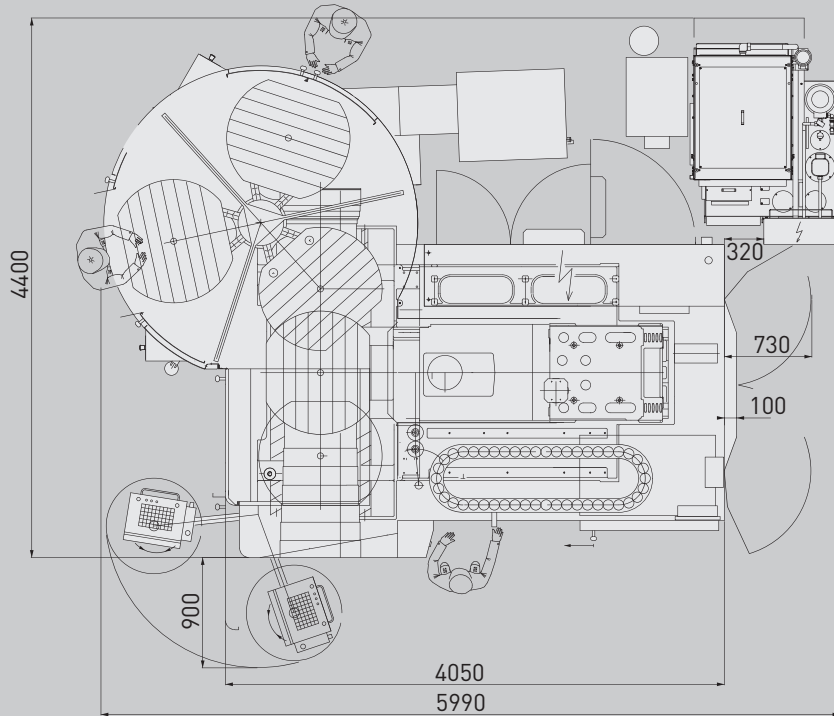
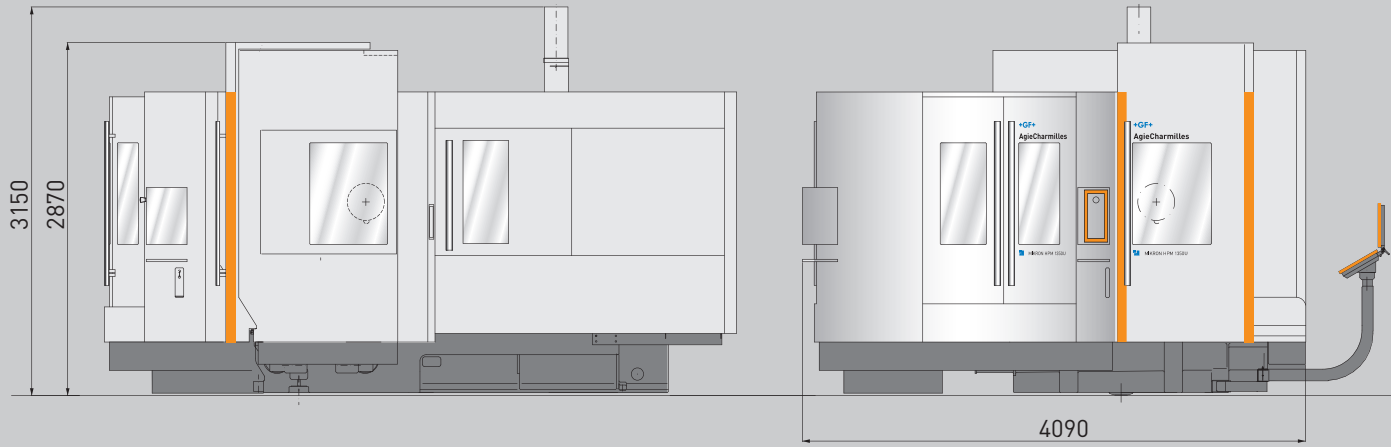
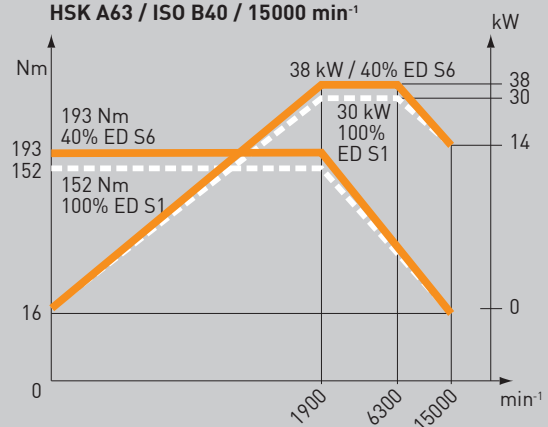


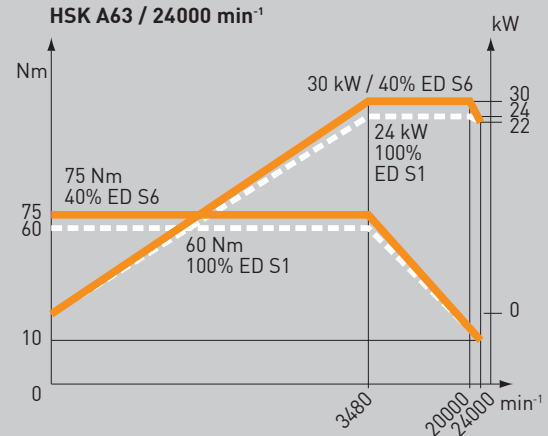
**HPM 1350U  
with Pallet magazine**



**HPM 1150U / 1350U  
HSK A63 / ISO B40 / 15000 min<sup>-1</sup>**



**HPM 1150U / 1350U  
HSK A63 / 24000 min<sup>-1</sup>**



© Mikron Agis Charmilles AG, 2011  
The technical data and illustrations are not binding.  
They are not warranted characteristics and are subject to change.



AgieCharmilles

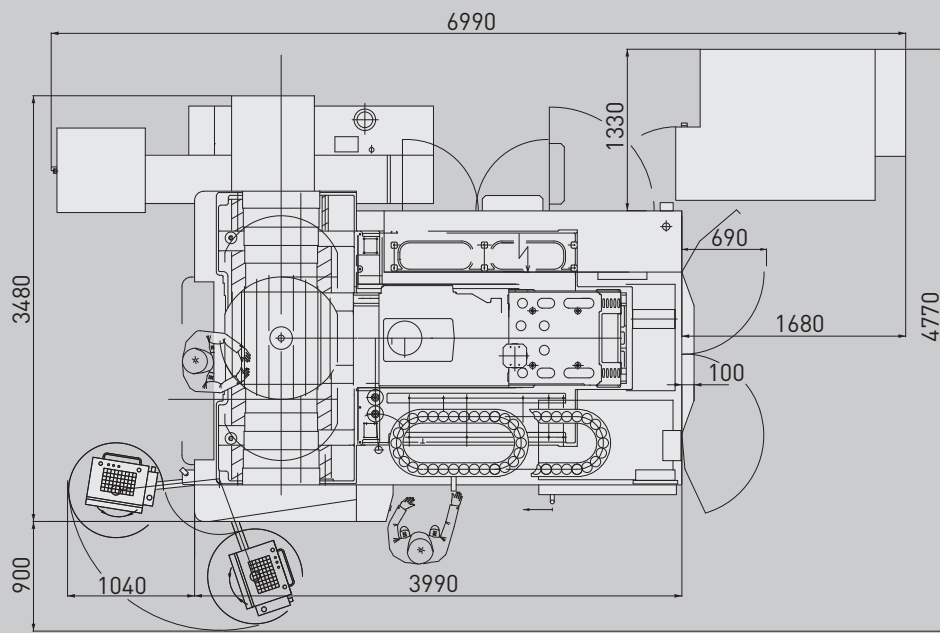
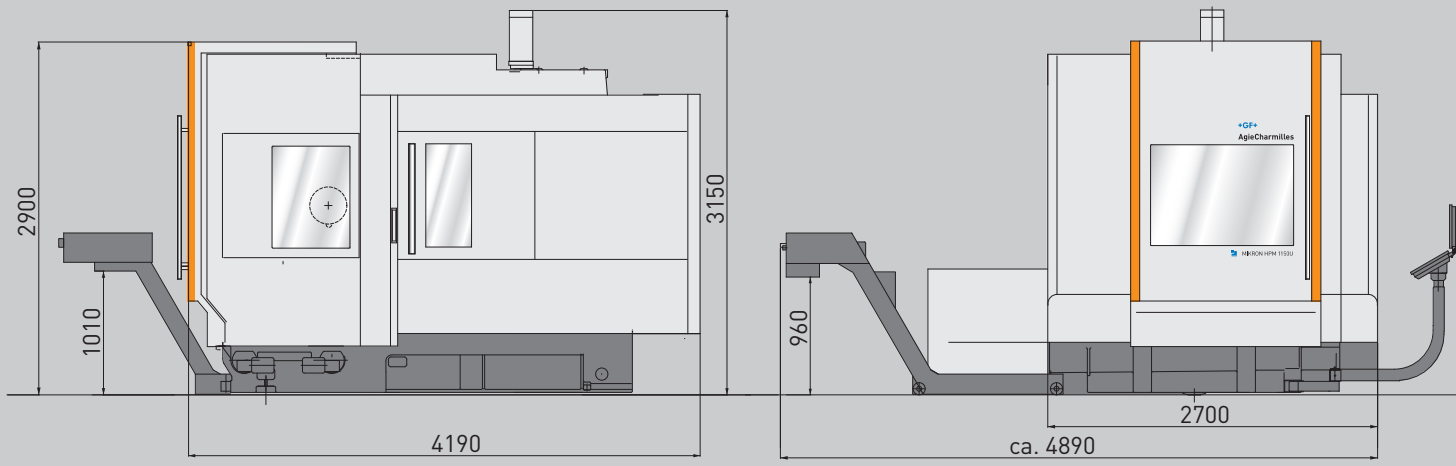
## Technical data

### MIKRON HPM 1150U

### MIKRON HPM 1350U

		MIKRON HPM 1150U	MIKRON HPM 1350U
<b>Working range</b>			
Longitudinal	X mm	1000	1350
Cross	Y mm	1150	1150
Vertical	Z mm	700/895	700/895
A-axis	°	+16/-120	+16/-120
C-axis	°	n x 360	n x 360
Number of simultaneous axis	pce.	5 axis/5 simultaneous	5 axis/5 simultaneous
<b>Feed Drives</b>			
Feed rate / Rapid traverse	X, Y m/min	15 / 30	15 / 32
Feed rate / Rapid traverse	Z m/min	15 / 30	15 / 32
Feed rate / Rapid traverse	A min <sup>-1</sup>	11 / 20	11 / 20
Feed rate / Rapid traverse	C min <sup>-1</sup>	40	40
<b>Working spindle</b>			
Working spindle 15'000	Spindle power 40% ED	kW	38
ISO-B40	Spindle torque 40% ED	Nm	193
Working spindle 15'000	Spindle power 40% ED	kW	38
HSK-A63	Spindle torque 40% ED	Nm	193
Working spindle 24'000	Spindle power 40% ED	kW	30
HSK-A63	Spindle torque 40% ED	Nm	75
<b>Accuracy XYZ ISO 230-2(97)</b>			
Accuracy	A µm	X = 8 Y + Z = 6	X = 8 Y + Z = 6
Repeatability	R µm	X = 5 Y + Z = 4	X = 5 Y + Z = 4
<b>Work table</b>			
Clamping surface	mm	Ø 1000	Ø 1100
Max. workpiece weight	kg	1100	1600
<b>Automation</b>			
Pallet magazine	Positions	-	3
Pallet clamping surface	mm	-	Ø 1000 / 840
Tool magazine	ISO-B40 / HSK-A63 Positions	30, 46, 92	30, 46, 92
<b>Control unit</b>			
	Heidenhain	iTNC 530	iTNC 530
	Siemens	840 D	840 D
<b>Weight</b>			
Machine	kg	12'300	12'600 - 17'100
<b>smart machine</b>			
		APS, APS extended, Adaptive control, ITC	APS, APS extended, Adaptive control, ITC
<b>Ancillary services</b>			
Programming courses		•	•
Technology courses		•	•
Service training courses		•	•

**HPM 1150U  
without Pallet magazine**



**HPM 1350U**  
**without Pallet magazine**

